



RISA Webinar

New Features in RISA

Presenter: Deborah Penko, P.E.





 **RISA-3D** Ver. 10.0

The icon for RISA-3D is a purple cube with a 3D coordinate system. The X-axis is to the right, the Y-axis is up, and the Z-axis is to the left. The axes are labeled with their respective letters.

 **RISAFloor** Ver. 6.0

The icon for RISAFloor is a blue grid with three columns and four rows. The columns are labeled 1, 2, and 3 at the top. The rows are labeled D, E, F, and G on the left side.

 **RISAFoundation** Ver. 4.0

The icon for RISAFoundation is a blue rectangular block with a white top surface, resting on a grey base.

 **RISAConnection** Ver. 2.0

The icon for RISAConnection is a green rectangular block with a white top surface, resting on a grey base.

RISA PROGRAMS

New Codes

- AISC 14th Edition (AISC 360-10) steel
***** Webinar on April 10th *****
- Canadian Cold-Formed Steel CSA S136-04 & S136-07
- ACI 318-11 concrete design
- ASCE 7-10 Seismic and Wind Loading

OVERVIEW



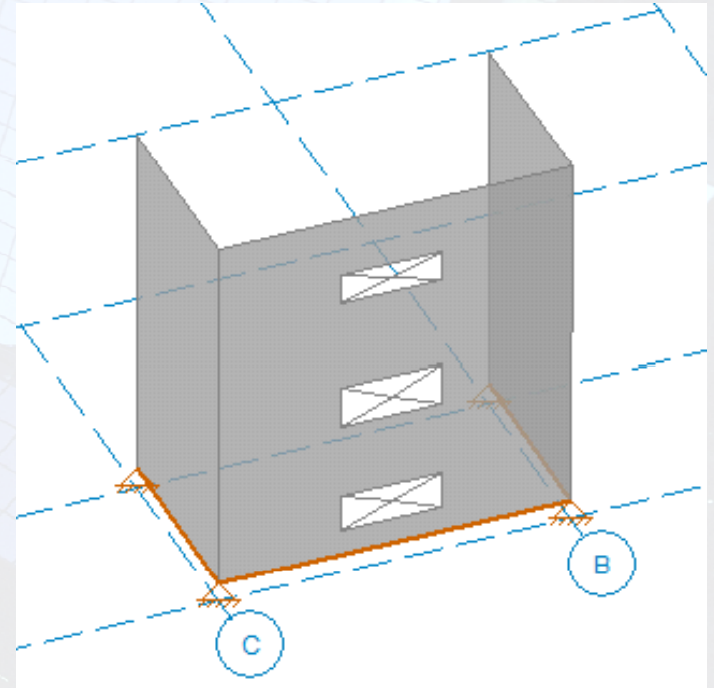
RISAFloor

- Live Load Skip Loading for Columns
- Automatic inclusion of Connection Eccentricity for Columns
- New Deck Database that includes manufacturer specific decks
- Copy tool for floor framing

OVERVIEW

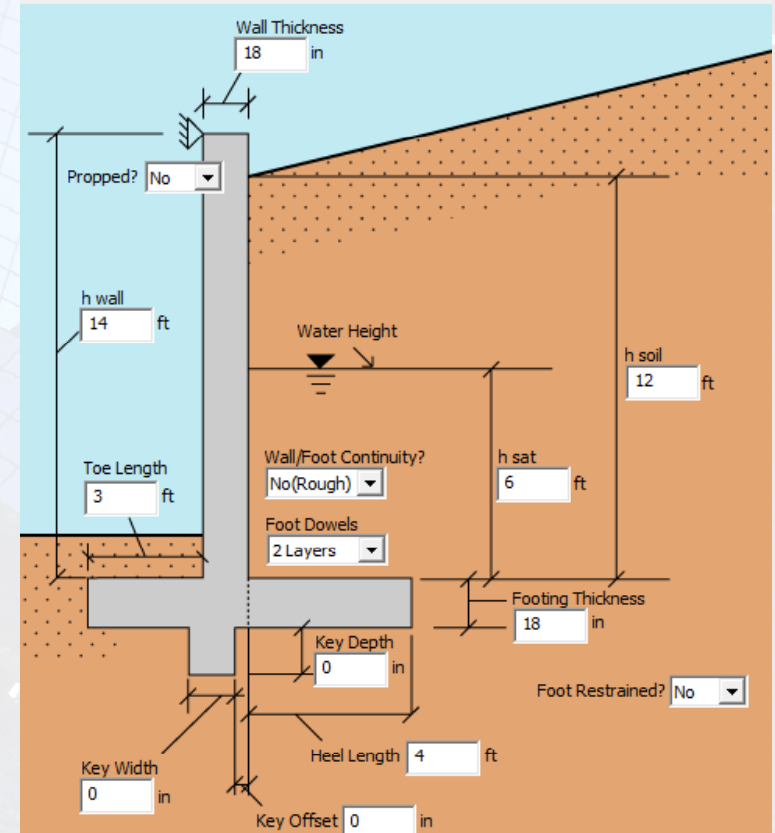
RISA-3D

- Openings in Concrete Wall Panels
- Hydrostatic loading for circular tanks
- Copy Offset tool



RISAFoundation

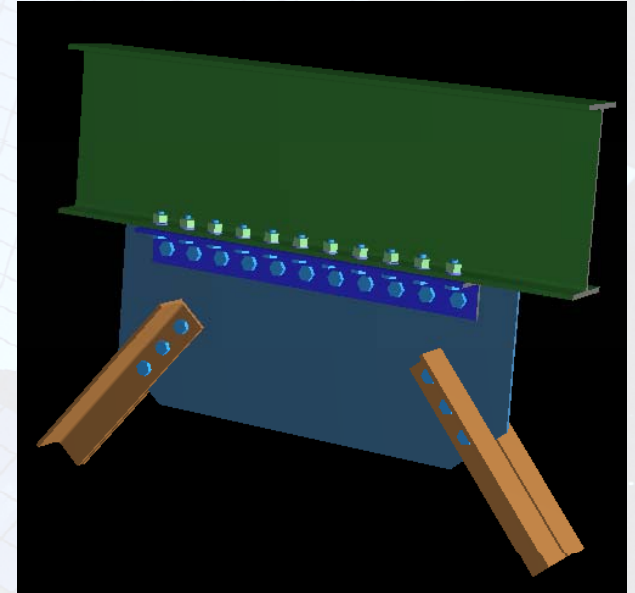
- Retaining Walls
- Optimize footings for Uplift, Overturning & Sliding



OVERVIEW

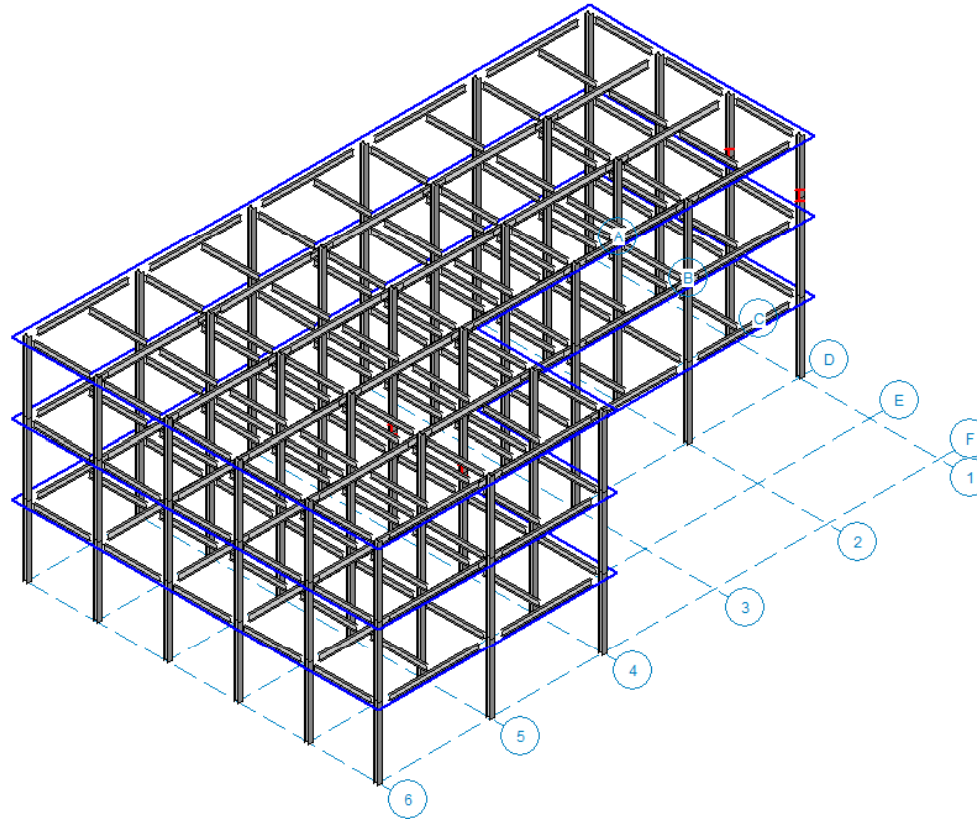
RISACONNECTION

- Vertical Brace Connection design
- Column & Beam Splice Connection Design
- Axial Loads included in connection design
- DXF Export of Connection details



OVERVIEW

Let's look at an example of all these features!



Automated Loads

Additional Resources

- Release Notes
- www.risanews.com
- support@risa.com
- User's Guides available at www.risa.com

Presenter: Deborah Brisbin, P.E.





Questions?

Please let us know if you have questions.

We will answer as many questions as time permits during the webinar.

Once the webinar is closed, we will post all Q&A's, the powerpoint slides and the models used today to our website:

www.risa.com

For further information, contact us at: info@risa.com

Thank you for Attending!

